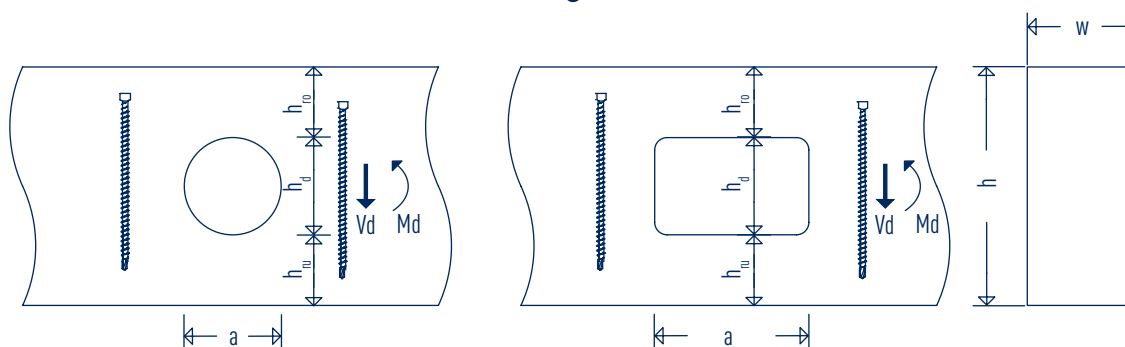


# Dimensioning template

## for GoFix® X+, S+, SS for break-through



Executing company*			
Contact person*			
Postcode*		Place*	
Phone*		Fax	
E-mail*			
Building project*			

SIHGA Online - Calculation Software is available at [www.sihga.com](http://www.sihga.com) at any time!

Beam diameter*		
Width w [mm]	Height h [mm]	Strength class
Break-through*		
Rectangular	Circular	a [mm]
<input type="checkbox"/>	<input type="checkbox"/>	
$h_d$ [mm]	$h_{ro}$ [mm]	$h_{ru}$ [mm]
Load duration $V_d$ as dimensioning value*		
Characteristic value multiplied by partial factor		[kN]
Permanent load x 1.35		
Permissible load x 1.5		
Load duration $M_d$ as dimensioning value*		
Characteristic value multiplied by partial factor		[kNm]
Permanent load x 1.35		
Permissible load x 1.5		
Load duration class*		
permanent	medium-term	short-term
<input type="checkbox"/>	<input type="checkbox"/>	<input type="checkbox"/>
Service class*		
NKL 1	NKL 2	NKL 3
<input type="checkbox"/>	<input type="checkbox"/>	<input type="checkbox"/>

\*Please fill out completely, otherwise dimensioning is not possible!